



ACCU-SCOPE®

MICROSCOPY & IMAGING SOLUTIONS

EXC-360
Clinical Microscope



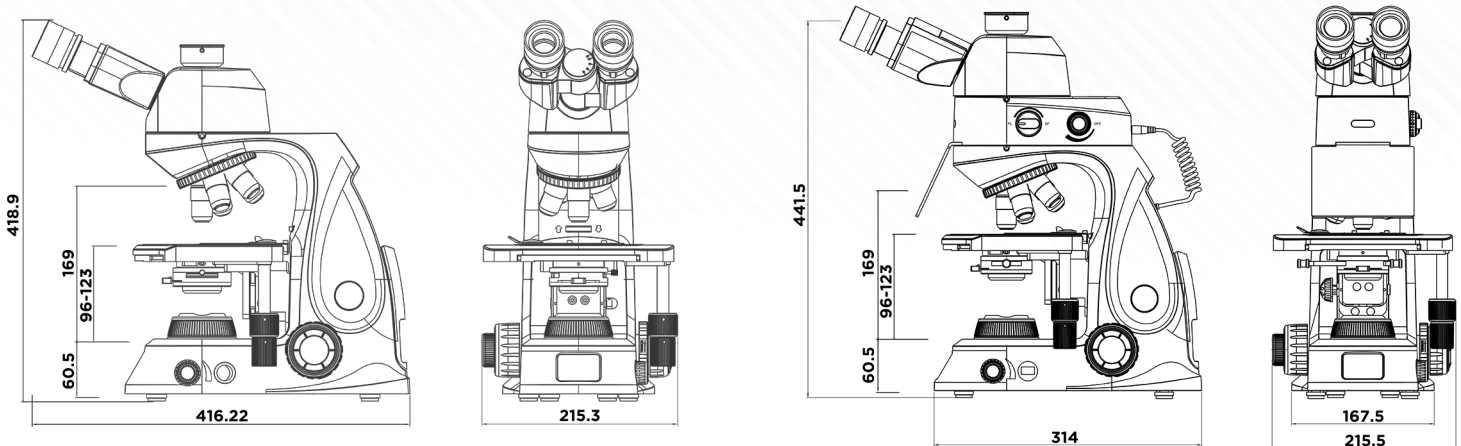
Empowering Discovery. Advancing Results.

EXC-360 Routine Clinical Microscope

The NEW EXC-360 from ACCU-SCOPE delivers exceptional optical performance, versatility and durability for clinical, veterinary and education laboratory environments. With infinity Plan Achromat objectives and brilliant LED illumination, the EXC-360 produces bright, high-resolution images. The standard trinocular port is ready to accept a microscopy camera (requires c-mount camera adapter) for documentation, analysis, and instructional purposes.

SPECIFICATIONS

Viewing Heads	Trinocular, Siedentopf-type viewing head, inclined 30°, rotatable 360°; fixed light path split 50:50 eyepieces:camera port; eyetubes can be rotated and adjusted 180°; interpupillary distance adjustment 50-75mm; <i>Optional: ergonomic tilting binocular (0° - 35°)</i>
Optical System	Infinity Optical System, f = 180mm, anti-mold
Objectives	Plan Achromat 2x, 4x, 10x, 20x, 40x*, 50x* oil, 60x*, 100x* dry, 100x* water, 100x* oil; Plan Phase 10x, 20x, 40x*, 100x* oil; Plan S-APO 4x, 10x, 20x, 40x*, 100x* (*Spring-loaded)
Eyepieces	WF10x/22mm focusable eyepieces with eye cushions; accepts 26.5mm reticle <i>Optional 15x and 20x eyepieces are available</i>
Nosepiece	Rear facing quintuple, ball bearing nosepiece with positive click stops
Focusing System	Coaxial focusing system with adjustable tension control and upper limit stop to prevent accidental damage to slides; all metal gears, brass for fine focus
Stand	All metal structural frame with molded plastic protective shell
Stage	Double-layer mechanical stage with ceramic coating; 0.1mm precision (X-axis); 78mm x 51mm movement range; quick load single slide holder
Condenser	N.A. 1.25 condenser with aperture diaphragm; slot for phase contrast or darkfield sliders
Illumination	3W LED with variable intensity control; LED bulb is rated for over 25,000 hours of continuous use; internal universal power supply 110-240v
Accessories	Dust cover, instruction manual included
Optional Accessories	Fluorescence attachments; turret phase and slider phase contrast set; darkfield slider (4x - 40x); simple polarizer/analyzer; microscope cameras and adapters
Warranty	5-year limited warranty for parts, labor and electronic components; 1-year warranty on LED bulb



Units: mm



Copyright © 2024 ACCU-SCOPE Inc. All rights reserved. Printed in the U.S.A. ACCU-SCOPE Inc. reserves the right to change and improve specifications without notice due to technological or manufacturing advances.



v012524