



leica-microsystems.com

Leica Incident Light and Transmitted Light Stands

for Stereomicroscopes and Macroscopes
Technical Information

Leica
MICROSYSTEMS

Transmitted Light Stands: Performance Features

	Transmitted Light Stand TL ST	Transmitted Light Stand TL BDF
Illumination source	Halogen lamp 12V/20W with the effective power of conventional 35W lamps	Illumination using external cold light sources with light cable
Illumination modes	Brightfield, darkfield on one side	Brightfield, darkfield
Transmitted light control	Mirror position can be adjusted; the tilting angle of the mirror is then automatically regulated to the ideal transmitted light position.	Fixed mirror, switchover between brightfield and darkfield position
Illuminated area	50mm	40mm
Illumination control	Control of the light intensity with potentiometer	Control of color temperature and light intensity using external light source Direct control using Leica Application Suite (LAS) software is possible
Filtering	Integrated filter holder for fitting with special daylight filters (10 447 400)	–
Accessories	Ergo accessories and numerous extra stages for the most challenging life science applications Adapter for 120mm transmitted light inserts	IsoPro™ cross-stage with optimized image level (image level and illumination settings remain unchanged) Ergo accessories and numerous extra stages for the most demanding life science applications Adapter for 120mm transmitted light inserts
Dimensions (W×H×D, in mm)	340×430×85	340×390×90

	Transmitted Light Stand TL RC™	Transmitted Light Stand TL RCI™
Illumination source	Illumination using external cold light sources with light cable	Halogen lamp 12V/20W with the effective power of conventional 35W lamps
Illumination modes	Brightfield, darkfield on one side, oblique lighting Relief Contrast System (RC™) with positive or negative relief contrast presentation for phase preparations without artificial coloring	Brightfield, darkfield on one side, oblique lighting Relief Contrast System (RC™) with positive or negative relief contrast presentation for phase preparations without artificial coloring
Control of the transmitted light	360° rotatable mirror, position of the mirror adjustable, concave mirror side for use with lenses having a higher numerical aperture	360° rotatable mirror, position of the mirror on Z-shaft adjustable, concave mirror side for use with lenses having a higher numerical aperture
Illuminated area	35mm	35mm
Control of the illumination	Control of color temperature and light intensity using external light source Direct control using Leica Application Suite (LAS) software is possible	Separate control of color temperature and light intensity with CCIC technology, controlled by electronic potentiometer, electronic shutter with memory function (returns to previously selected settings after interrupting work) Direct control using Leica Manual Control UMC, Leica USB mouse and/or Leica Application Suite (LAS) software possible
Filtering	Integrated filter holder for fitting up to three filters (accessories) at the same time	Integrated filter holder for fitting up to three filters at the same time
Accessories	IsoPro™ cross-stage with optimized image level (image level and illumination settings remain unchanged) Ergo accessories and numerous extra stages for the most challenging life science applications Adapter for 120mm transmitted light inserts	IsoPro™ cross-stage with optimized image level (image level and illumination settings remain unchanged) Ergo accessories and numerous extra stages for the most challenging life science applications Adapter for 120mm transmitted light inserts
Dimensions (W×H×D, in mm)	340×390×95	340×440×95

Accessories

Designation	4×/Universal stage	Adapter for 160×110mm accessories	Adapter for 120mm stages
Article number	10 447 392	10 447 391	10 447 276
Description	Additional universal stage. Scope of delivery: Base Plate, magnetic guide rails with metric scale, two pairs of magnetic fixations for the most differing types of glass slide.	Simple adaptation of Leica Life on Stage accessories for the most challenging life science applications.	This adapter enables stages with a diameter of 120mm to be used on the new transmitted light stands.
Compatible with Incident light stand 10 446 340	–	–	–
Compatible with Incident light stand 10 447 342	–	–	–
Compatible with Transmitted light stand TL ST	X	X	X
Cross-stage	X	X	X
Standard stage	X	X	X

Designation	IsoPro™ adapter, Ø120mm	Leica ErgoRest™	Cup stage, Ø120mm
Article number	10 447 368	10 447 431	10 446 303
Description	Adapter for assembling cross-stage 10 446 353 on incident light stand 10 447 342.	The ErgoRest™ support enables even more precise working without fatigue. It can be notched in two positions on the base (for focusing/working on the specimen).	Petri dishes, and spatial objects such as plants and insects, can be attached to the surface and studied from all sides.
Compatible with Incident light stand 10 446 340	–	–	X
Compatible with Incident light stand 10 447 342	X	–	X
Compatible with Transmitted light stand TL ST	–	X	X (with adapter 10 447 276)
Cross-stage	–	X	X (with adapter 10 447 276)
Standard stage	–	X	X (with adapter 10 447 276)

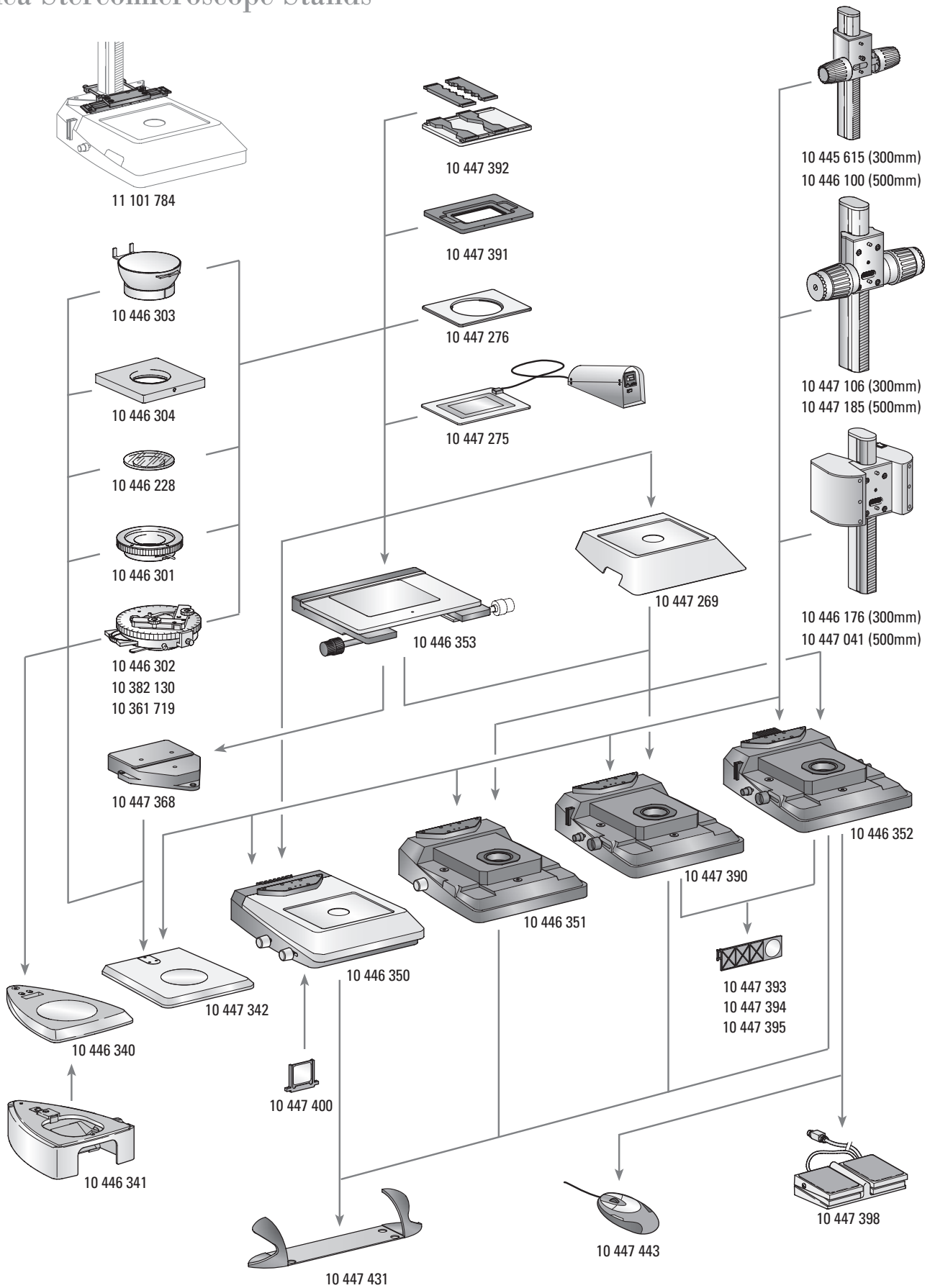
Designation	Daylight filter	Filter for TL RC™/RCI™	Filter for TL RC™/TL RCI™
Article number	10 447 400	10 447 393	10 447 394
Description	High-tempered daylight filter for the transmitted light stand TL ST. Cuts off the UV and infrared spectrum and raises the color temperature.	BG38 Filter The transmitted light stands TL RC™ and TL RCI™ can be fitted with up to three filters at the same time.	UV-Filter The transmitted light stands TL RC™ and TL RCI™ can be fitted with up to three filters at the same time.
Compatible with Incident light stand 10 446 340	–	Transmitted light stand TL RC™/RCI™ –	Transmitted light stand TL RC™/RCI™ –
Compatible with Incident light stand 10 447 342	–	–	–
Compatible with Transmitted light stand TL ST	–	–	–
Cross-stage	X	–	–
Standard stage	–	–	–

Leica MATS TL with control unit	IsoPro™ cross-stage	Standard stage	Micromanipulation adapter
10 447 275	10 446 353	10 447 269	11 101 784
The precise heat distribution and excellent temperature stability of the Leica MATS TL thermo stage with minimum tolerances (< 0.2°C) allow experiments to be carried out on temperature-dependent specimens.	A cross-stage specifically designed for Leica transmitted light stands, the optical plane is identical as opposed to a standard stage. Control elements can be mounted left/right, very easy assembly, accuracy 2 µm.	The standard stage is a low-cost alternative to the cross-stage. The large glass plate prevents fluids from penetrating, and the same time serves as a resting surface for specimens that are not being used.	By means of this adapter, Leica stereomicroscopes can be used for the most challenging applications such as ICSI, transgenics, and electrophysiological experiments.
–	–	–	X
–	X (with adapter 10 447 368)	–	X
X	–	–	X
X	X	X	X
X	X	X	X

Universal carrier, Ø120mm	Glass stage plate with pol, Ø120mm	Polarization stage, Ø120mm	Gliding stage, Ø120mm
10 446 304	10 446 228	10 446 302	10 446 301
The universal carrier enables specific working devices to be assembled on the stands.	The polarization insert makes it possible to see and analyze the double refraction of light for materials such as crystals, stones, minerals, bones, polymers, glass and crystalline fluids.	The polarization stage increases precision and comfort when analyzing double-refracting materials due to its sensitive bearing and the scale for the angle of rotation.	Specimens can be accurately displaced and turned. This gliding stage is used with the stage plate, black/white, a clear glass stage plate or a cup stage.
X	–	–	X
X	–	–	X
X (with adapter 10 447 276)	X (with adapter 10 447 276)	X (with adapter 10 447 276)	X (with adapter 10 447 276)
X (with adapter 10 447 276)	X (with adapter 10 447 276)	X (with adapter 10 447 276)	X (with adapter 10 447 276)
X (with adapter 10 447 276)	X (with adapter 10 447 276)	X (with adapter 10 447 276)	X (with adapter 10 447 276)

Filter for TL RC™/TL RCI™	Leica USB mouse	Footswitch
10 447 395	10 447 443	10 447 398
ND filter (neutral gray) The transmitted light stands TL RC™ and TL RCI™ can be fitted with up to three filters at the same time.	Five-button mouse with USB connection for use on the transmitted light stand TL RCI™ or PC (using Leica Application Suite software).	Footswitch for regulating the brightness and color temperature of the transmitted light stand TL RCI™ and motorized components of stereomicroscopes such as the MZ16 A, and macroscopes such as the Z6/Z16 APO A, etc.
Transmitted light stand TL RC™/RCI™	Transmitted light stand TL RCI™	Transmitted light stand TL RCI™
–	–	–
–	–	X
–	–	X
–	–	X

Leica Stereomicroscope Stands



Scope of Delivery

Incident light stands

- 10 446 340 Incident light stand for S-series
- 10 446 341 Transmitted light stand for incident light stand for S-series
- 10 447 342 Incident light stand for M-series
- 10 446 350 Transmitted light stand TL ST
- 10 446 351 Transmitted light stand TL BFDF
- 10 447 390 Transmitted light stand TL RC™ for external cold light sources
- 10 446 352 Transmitted light stand TL RCI™ with integrated halogen illumination

Stages

- 10 447 269 Standard stage for transmitted light stands TL BFDF (10 446 351), TL RC™ (10 447 390) and TL RCI™ (10 446 352)
- 10 446 353 Cross-stage for transmitted light stands TL BFDF (10 446 351), TL RCI™ (10 447 390), TL RC™ (10 446 352) and incident light stand (10 447 342, adapter 10 447 368 required)
- 10 447 368 Adapter between cross-stage IsoPro™ (10 446 353) and incident light stand (10 447 342)
- 10 447 275 Thermo stage Leica MATS TL with control unit
- 10 447 276 Adapter for stages with Ø120mm
- 10 447 391 Stage for 160×110mm accessories
- 10 447 392 Universal carriers for Petri dishes, glass slides (up to four) etc.
- 11 101 784 Column adapter for micromanipulation
- 10 446 301 Gliding stage, Ø120mm
- 10 446 302 Polarization stage, Ø120mm
- 10 382 130 Attachable mechanical stage for polarization stage
- 10 361 719 Sensitive-tint plate for rotatable polarization stage
- 10 446 303 Cup stage, Ø120mm
- 10 446 304 Universal carrier, Ø120mm
- 10 446 228 Glass insert with pol, Ø120mm

Focusing drives

- 10 445 615 Focusing drive with 300mm side-faced column for incident and transmitted light stands
- 10 446 100 Focusing drive with 500mm side-faced column for incident and transmitted light stands
- 10 447 106 Focusing drive, coarse/fine, with 300mm side-faced column for incident and transmitted light stands
- 10 447 185 Focusing drive, coarse/fine, with 500mm side-faced column for incident and transmitted light stands
- 10 446 176 Motorfocus drive with 300mm column and supply unit for incident and transmitted light stands
- 10 447 041 Motorfocus drive with 500mm column and supply unit for incident and transmitted light stands

Filters

- 10 447 400 Daylight filter for transmitted light stand TL ST
- 10 447 394 BG38 filter for transmitted light stand TL RC™/RCI™
- 10 447 395 UV filter for transmitted light stand TL RC™/RCI™
- 10 447 393 Filter ND (gray filter) for transmitted light stand TL RC™/RCI™

Illumination

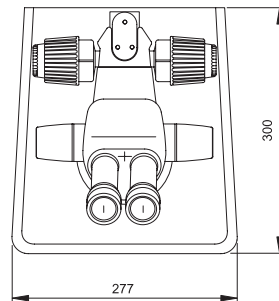
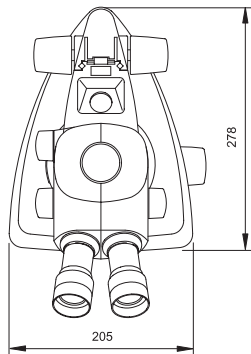
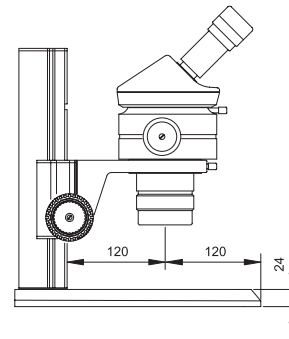
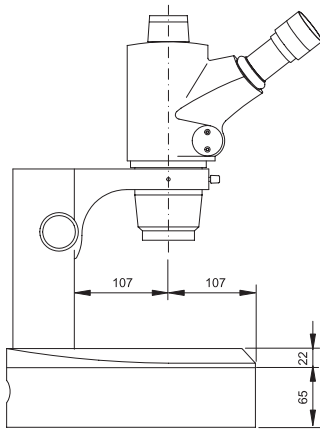
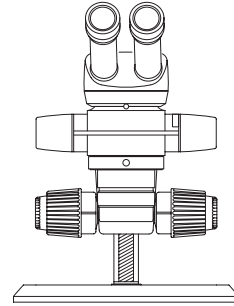
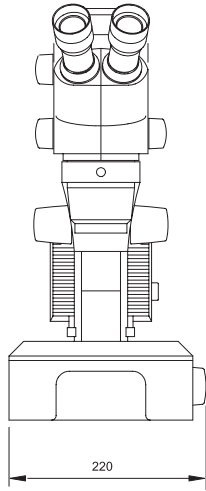
- 10 447 443 Leica USB mouse, a five-button mouse for connecting to transmitted light stand RCI™ or to a PC
- 10 447 398 Footswitch with CAN-bus connection

Ergo accessories

- 10 447 431 Leica ErgoRest™ (hand rest for working without fatigue)

Incident Light Stand Dimensions

Dimensions in mm

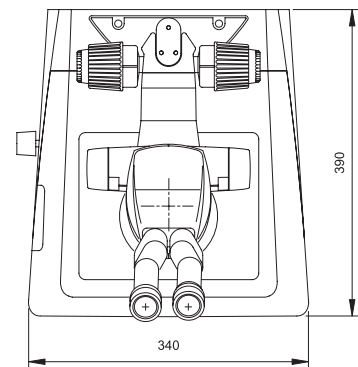
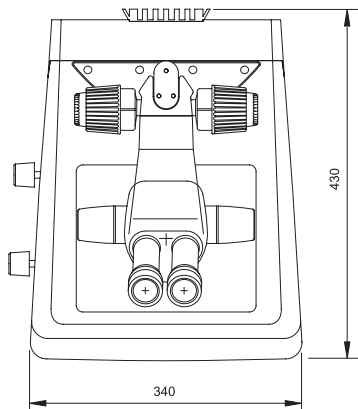
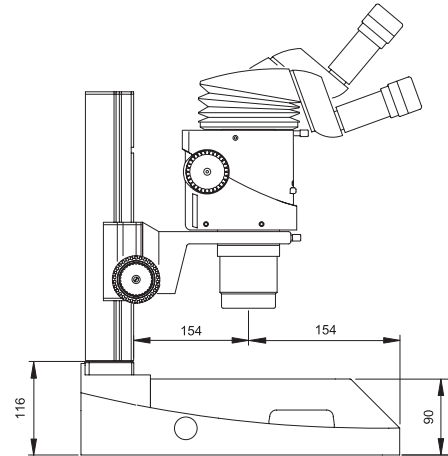
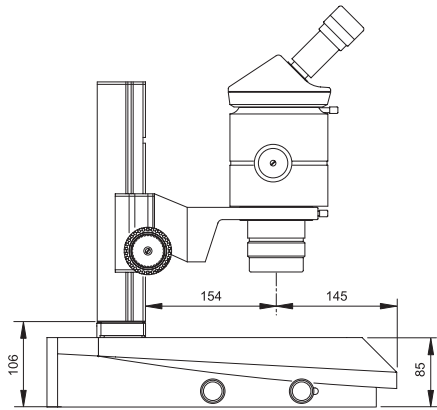
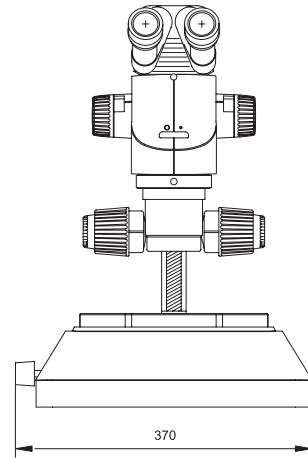
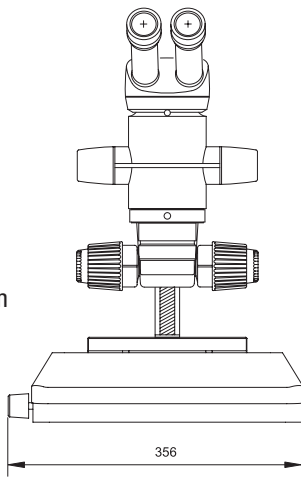


Incident light stand 10 446 340
with Sub-base for
transmitted light 10 446 341

Incident light stand 10 447 342

Transmitted Light Stands TL ST and TL BDFD Dimensions

Dimensions in mm

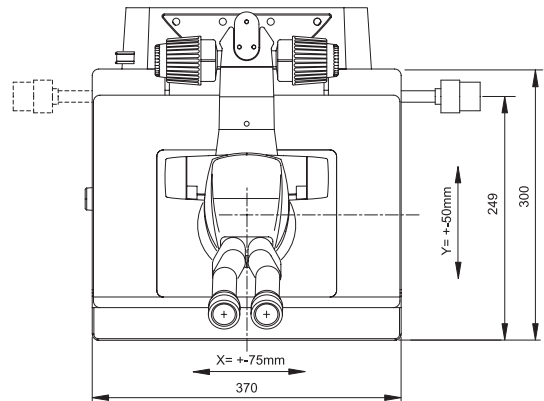
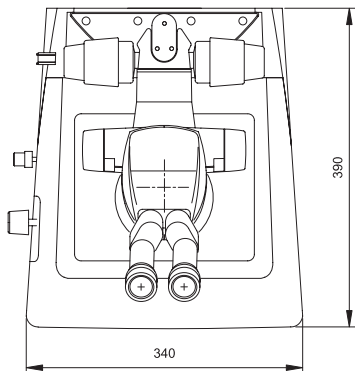
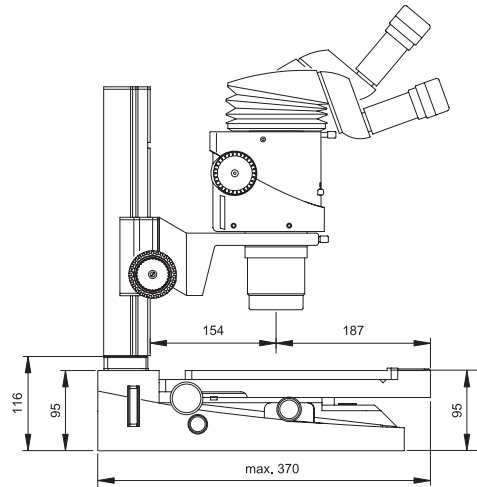
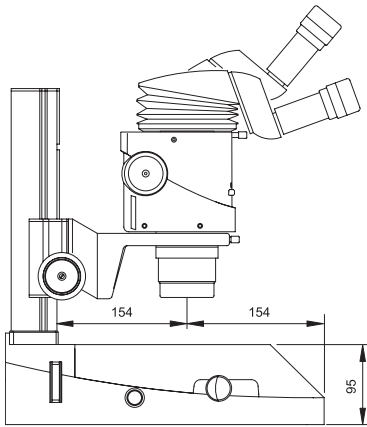
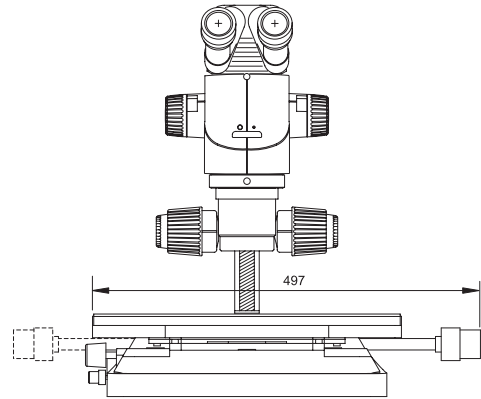
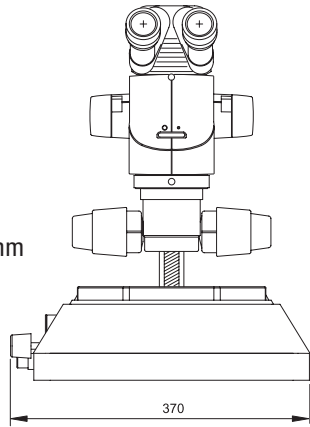


Transmitted light stand TL ST

Transmitted light stand TL BDFD with standard stage 10 447 269

Transmitted Light Stand TL RC™ Dimensions

Dimensions in mm

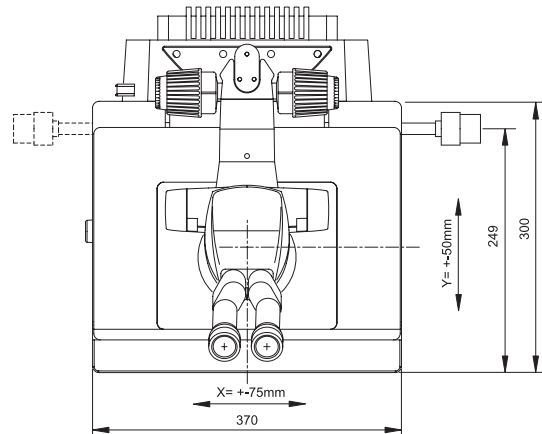
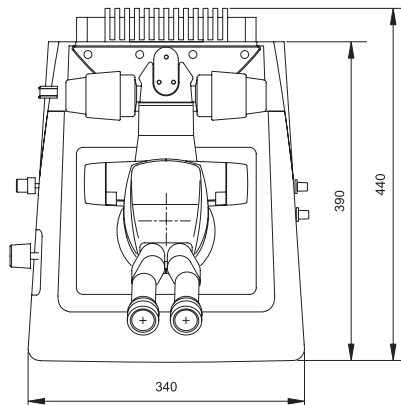
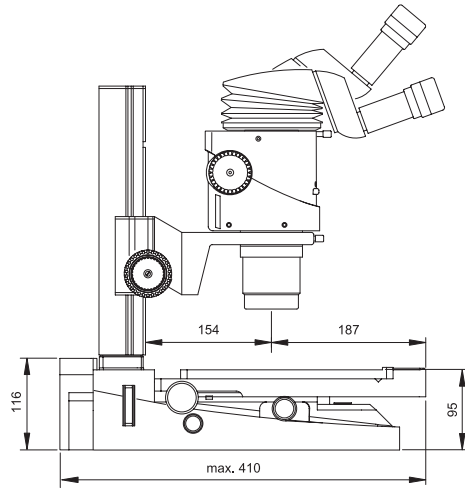
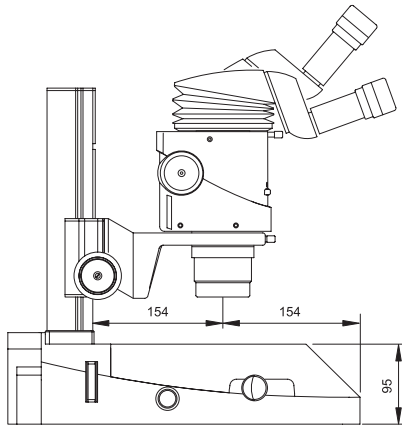
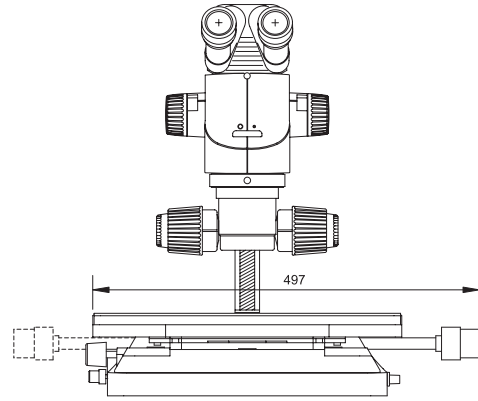
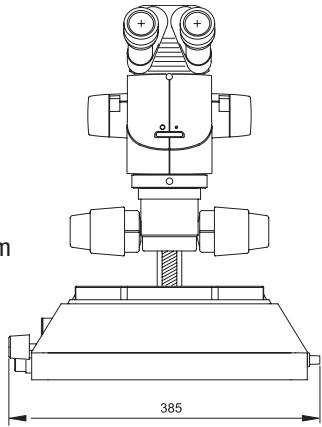


Transmitted light stand TL RC™
with standard stage 10 447 269

Transmitted light stand TL RC™
with IsoPro™ cross-stage

Transmitted Light Stand TL RCI™ Dimensions

Dimensions in mm



Transmitted light stand TL RCI™
with standard stage 10 447 269

Transmitted light stand TL RCI™
with IsoPro™ cross-stage

Leica Microsystems – the brand for outstanding products

Leica Microsystems' mission is to be the world's first-choice provider of innovative solutions to our customers' needs for vision, measurement, lithography and analysis of microstructures.

Leica, the leading brand for microscopes and scientific instruments, developed from five brand names, all with a long tradition: Wild, Leitz, Reichert, Jung and Cambridge Instruments. Yet Leica symbolizes innovation as well as tradition.

Leica Microsystems – an international company with a strong network of customer services

Australia:	Gladesville, NSW	Tel. +1 800 625 286	Fax +61 2 9817 8358
Austria:	Vienna	Tel. +43 1 486 80 50 0	Fax +43 1 486 80 50 30
Canada:	Richmond Hill/Ontario	Tel. +1 905 762 20 00	Fax +1 905 762 89 37
China:	Hong Kong	Tel. +8522 564 6699	Fax +8522 564 4163
Denmark:	Herlev	Tel. +45 44 5401 01	Fax +45 44 5401 11
France:	Rueil-Malmaison Cédex	Tel. +33 1 4732 8585	Fax +33 1 4732 8586
Germany:	Bensheim	Tel. +49 6251 1360	Fax +49 6251 136 155
Italy:	Milan	Tel. +39 02 57 486 1	Fax +39 02 5740 3273
Japan:	Tokyo	Tel. +81 3 543 596 09	Fax +81 3 543 596 15
Korea:	Seoul	Tel. +82 2 514 6543	Fax +82 2 514 6548
Netherlands:	Rijswijk	Tel. +31 70 41 32 130	Fax +31 70 41 32 109
Portugal:	Lisbon	Tel. +35 1 213 814 766	Fax +35 1 213 854 668
Singapore:		Tel. +65 6 77 97 823	Fax +65 6 77 30 628
Spain:	Barcelona	Tel. +34 93 494 9530	Fax +34 93 494 9532
Sweden:	Sollentuna	Tel. +46 8 625 45 45	Fax +46 8 625 45 10
Switzerland:	Glattbrugg	Tel. +41 44 809 34 34	Fax +41 44 809 34 44
United Kingdom:	Milton Keynes	Tel. +44 1908 246 246	Fax +44 1908 609 992
USA:	Bannockburn/Illinois	Tel. +1 800 248 0123	Fax +1 847 405 0164

and representatives of Leica Microsystems
in more than 100 countries.

In accordance with the ISO 9001 certificate, Leica Microsystems (Switzerland) Ltd, Business Unit Stereo & Macroscopic Systems has at its disposal a management system that meets the requirements of the international standard for quality management. In addition, production meets the requirements of the international standard ISO 14001 for environmental management.

 www.leica-microsystems.com/bases

The companies of the Leica Microsystems Group operate internationally in four business segments, where we rank with the market leaders.

• Microscopy Systems

Our expertise in microscopy is the basis for all our solutions for visualization, measurement and analysis of microstructures in life sciences and industry. With confocal laser technology and image analysis systems, we provide three-dimensional viewing facilities and offer new solutions for cytogenetics, pathology and materials sciences.

• Specimen Preparation

We provide comprehensive systems and services for clinical histo- and cytopathology applications, biomedical research and industrial quality assurance. Our product range includes instruments, systems and consumables for tissue infiltration and embedding, microtomes and cryostats as well as automated stainers and coverslippers.

• Medical Equipment

Innovative technologies in our surgical microscopes offer new therapeutic approaches in microsurgery.

• Semiconductor Equipment

Our automated, leading-edge measurement and inspection systems and our E-beam lithography systems make us the first choice supplier for semiconductor manufacturers all over the world.