



MODEL MI-150 Microscopy Illuminator

The MI-150 is a 150 Watt quartz halogen illuminator designed with a sleek plastic housing for a modern look and a cool temperature. The lamp can deliver nearly 400,000 footcandles of high-intensity, cold illumination, with minimal housing vibration or noise. Best of all, the MI-150 mates easily with Dolan-Jenner's standard ringlight and self-supporting gooseneck light guides, without the use of adapters.

Because it is designed specifically for laboratory use, the MI-150 has convenient features such as a low-profile top handle and a side door for easy lamp changing. The MI-150 is UL listed, as well as CSA and CE approved. See the back of this brochure for specific options available with the MI-150.

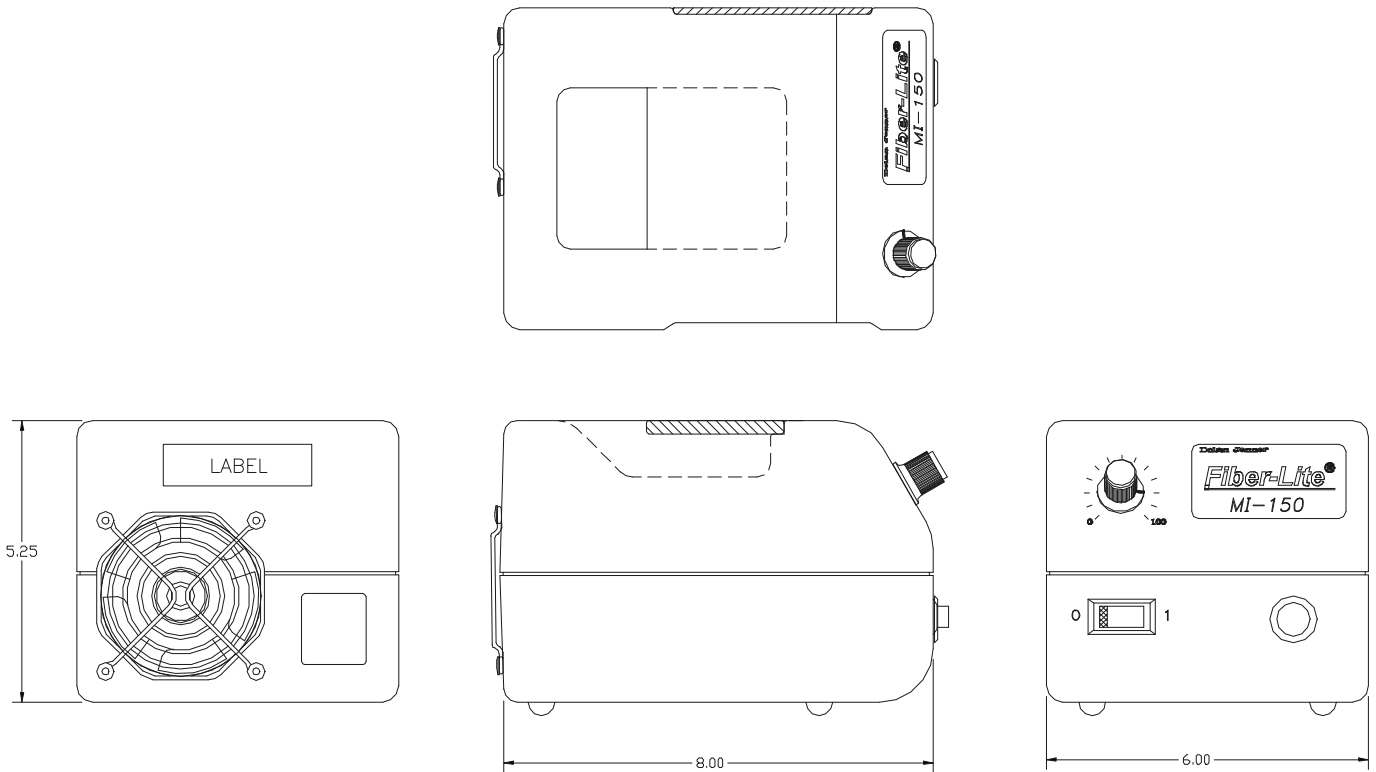
FEATURES:

- Mates with standard microscopy light guides without adapters
- UL, CE, CSA approved
- 110 or 220 VAC 50/60 Hz
- Low audible noise and vibration
- Sleek housing design
- Low housing temperature
- Minimal light leakage
- 0-100% Solid state intensity control
- Internal filter holder available
- Accessible lamp for easy changing

TECHNICAL INFORMATION:


Lamp:	EKE, 21 Volt, 150 Watt
Lamp Life:	200 hrs. at full intensity
Color Temperature:	3200°K
Voltage:	110/120 VAC, 50/60 Hz 220/230 VAC, 50/60 Hz
Intensity Control:	Solid State 0-100%
Fuse (115V):	2.5A 250V 3AG slow blow
Fuse (230V):	1.25A 250V 3AG slow blow
Noise Level:	25 dB
Safety Approvals:	UL, CSA, CE
Dimensions:	5.5" x 8.75" x 6.0"
Weight:	7.75 lbs.

DIMENSIONAL DRAWINGS



The MI-150 is also available as part of a complete fiber optic illumination system.

The following complete systems are available, using a single order code:

	SYSTEM	
	MI-RL	MI-150 with A3739P ringlight
	MI-DG	MI-150 with EEG2823 dual self-supporting cable and (2) LH-759 lenses
MI-SG	MI-150 with BG2820 single self-supporting cable and (1) LH-759 lens.	

Dolan-Jenner

industries



Melb : (03) 9480 4999
 Syd : (02) 9705 8059
 Email: sales@scitech.com.au
 www.scitech.com.au