



Model LMI-6000 LED Fiber Optic Illuminator

Standard Features:

- High Power White LEDs
- Consistent Color Temperature
- Linear Light Intensity Control
- Designed to Couple to Most Dolan-Jenner fiber optics
- AC Power Supply
- Low Heat
- Low Voltage
- Stackable Housing
- Quick Change Adapters
- Small Footprint
- 1 Year Warranty

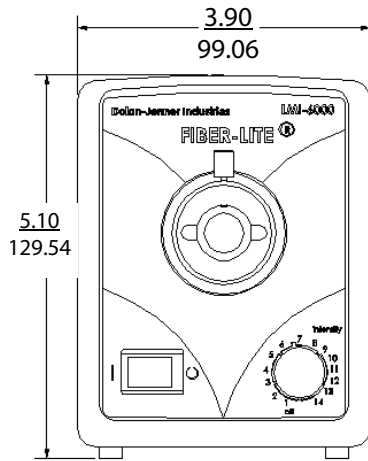
Accessories & Options:

- “B” Adapter 15 mm ID accepts “MI-150” light guides
- “A” Adapter 25 mm ID accepts “SX” and “MX” series (perferred) adapters

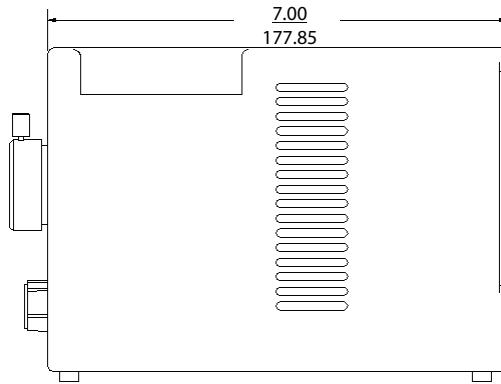
Technical Information	
Light Output:	780 Lumens
Lighting:	High Power White LEDs
Input Voltage:	100 - 240 VAC 50/60 Hz
Color Temperautre	Typical: 6000 K
LED Life:	20,000 Hours D65
Fiber Optic Interface:	15 mm or (25 mm optional)
Operating Temperature:	0 - 40°C
Cooling:	Fan Cooled
Intensity Control:	15 Step
Dimension/Weight:	3.9" W X 5.1" H X 7.0" DP/5.3 lbs
Appovals:	CE, RoHS

Model Number		
LMI-6000-US-XX	Includes: 115 V US line cord	
LMI-6000-EU-XX	Optional: 230 V Euro line cord	
Option Suffix	Description	Suggested List Price
LMI-6000-XX-B1	15 mm (.590") Fiber Input Dia.	\$749
LMI-6000-XX-A2	25 mm (1.0") Fiber Input Dia.	coming soon
LMI-6000-XX-DG	Includes Dual Gooseneck	\$999
LMI-6000-XX-SG	Includes Single Gooseneck	\$924
LMI-6000-XX-RL	Includes 60 mm Ringlight	\$1059
LMI-6000-XX-RB	Includes 66 mm Ringlight	\$1069

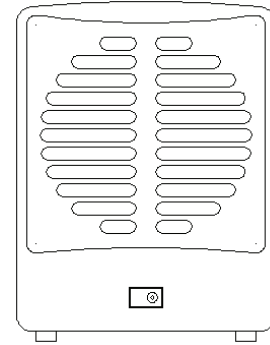
LMI-6000 Dimensions:



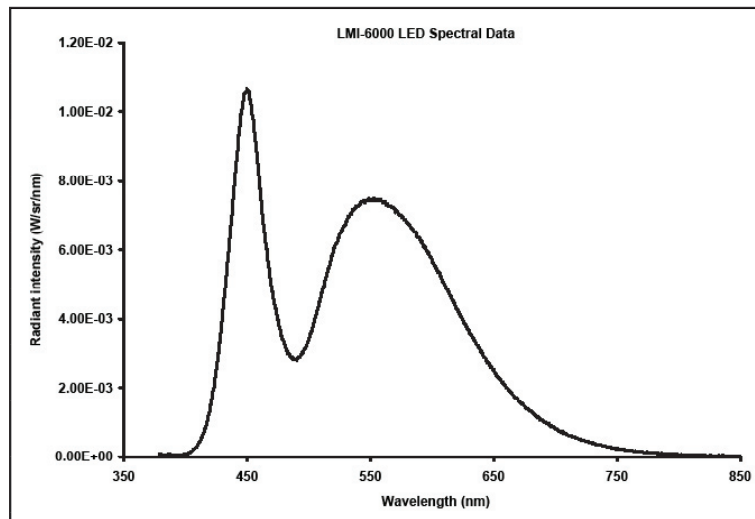
FRONT VIEW



SIDE VIEW



BACK VIEW



Dolan-Jenner
industries

Dolan-Jenner Industries
159 Swanson Rd.
Boxborough, MA 01719 USA

Phone: 800.833.4237
Fax: 978.264.0292
Email: support@dolan-jenner.com

1.800.83.FIBER

WWW.DOLAN-JENNER.COM

LMI-6000-LC-FA

SPECIFY LINE CORD

US =(115V US)
EU =(230V EURO)
UK =(230V UK)
EK =(ALL 3 CORDS)

SPECIFY FIBER ADAPTER/SYSTEM

B1 = STANDARD 15mm ID ADAPTER, NO FIBER
A2 = 25mm (1.0") ID "A" ADAPTER, NO FIBER
SG = BG2820M SINGLE GOOSENECK, LH-759 LENS, 15mm ADAPTER
DG = EEG2823M DUAL GOOSENECK, 2 LH-759 LENSES, 15mm ADAPTER
RL = A3739M 60mm ID RING LIGHT, 15mm ADAPTER
RB = LP25A36M 66mm ID RING LIGHT, 15mm ADAPTER