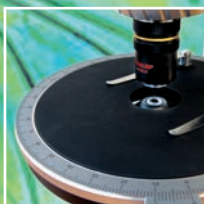


BA300Pol

Polarizing Microscope

With Acclaimed Motic CCIS Infinity Optics for Improved Performance and System Flexibility



BA300Pol

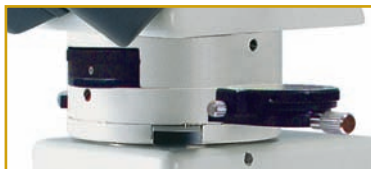
Motic BA300Pol microscope offers superb optical performance and flexibility in system expansion that can be applied to thin section petrography, mineralogy, industrial and medical applications.

CCIS (Colour Corrected Infinity System)

To meet changing demands of different applications for a polarizing microscope, unique CCIS infinity optics is employed to give high performance and system versatility.



- Highly stable and robust symmetrical Pyramid design and T-shaped base.



Intermediate Tube

Positioned between microscope stand and the eyepiece tube, the intermediate tube has a slider-type analyzer with large rotation control dial for easy adjustment and accurate reading through rotations of 360 degrees. The built-in focusable and centerable Bertrand lens allows conoscopic observation. The built-in depolarizer remains in the optical path when the analyzer is removed. The intermediate tube is also provided with a (20mm x 6 mm) DIN compliant compensator slot.



Reversed Centering Quadruple Nosepiece

The centerable quadruple nosepiece is provided with the means to centre three objectives to a fourth reference objective. The configured models come with CCIS EF Plan strain free objectives 4x, 10x, 40x and 60x.



Objectives

Motic's CCIS EF Plan strain free objectives 4x, 10x, 20x, 40x and 60x are designated CCIS P and manufactured to the same specifications as Motic's proprietary infinity optics (CCIS) system. The objectives provide images that are crisp and clear with high contrast and minimal flare.



Precision Rotating Stage

The 360 degree pre-centered and rotatable stage is an integral part of the microscope body providing for greater stability and enhanced accuracy. The stage incorporates a high precision ball bearing movement with extremely accurate one degree increments to a tenth of a degree. The stage diameter is 160mm.

Polarizer

The polarizer mounted under the condenser holder rotates 360 degrees with click stops every 90 degrees.

Condenser

The achromat, strain free condenser (N.A. 0.90) with the swing-out top lens provides even illumination down to 4X, and a high aperture illumination for conoscopy.

Illumination

The BA300Pol utilizes a 6-volt 30-watt quartz halogen Koehler illuminator for economical and trouble-free illumination.

Compensators

A selection of different types of compensators is offered for determination of the character of birefringence and for measuring phase differences.

The following compensators are available for use in the intermediate tube slot:

Full-wave plate $\lambda = 550\text{nm}$: First-Order Red (Tint plate).

Quarter-wave plate $\lambda/4 = 140\text{nm}$.

Wedge compensator $1-4 \lambda$ order 550-2200nm.

Anti-fungal Treatment

Anti-fungal chemical agents sealed inside objectives, eyepieces and observation tubes, slowly convert from a solid state to a gaseous state and produce an antifungal vapor that is harmless to the microscope and that helps protect optical components in tropical or other fungus-prone environments.

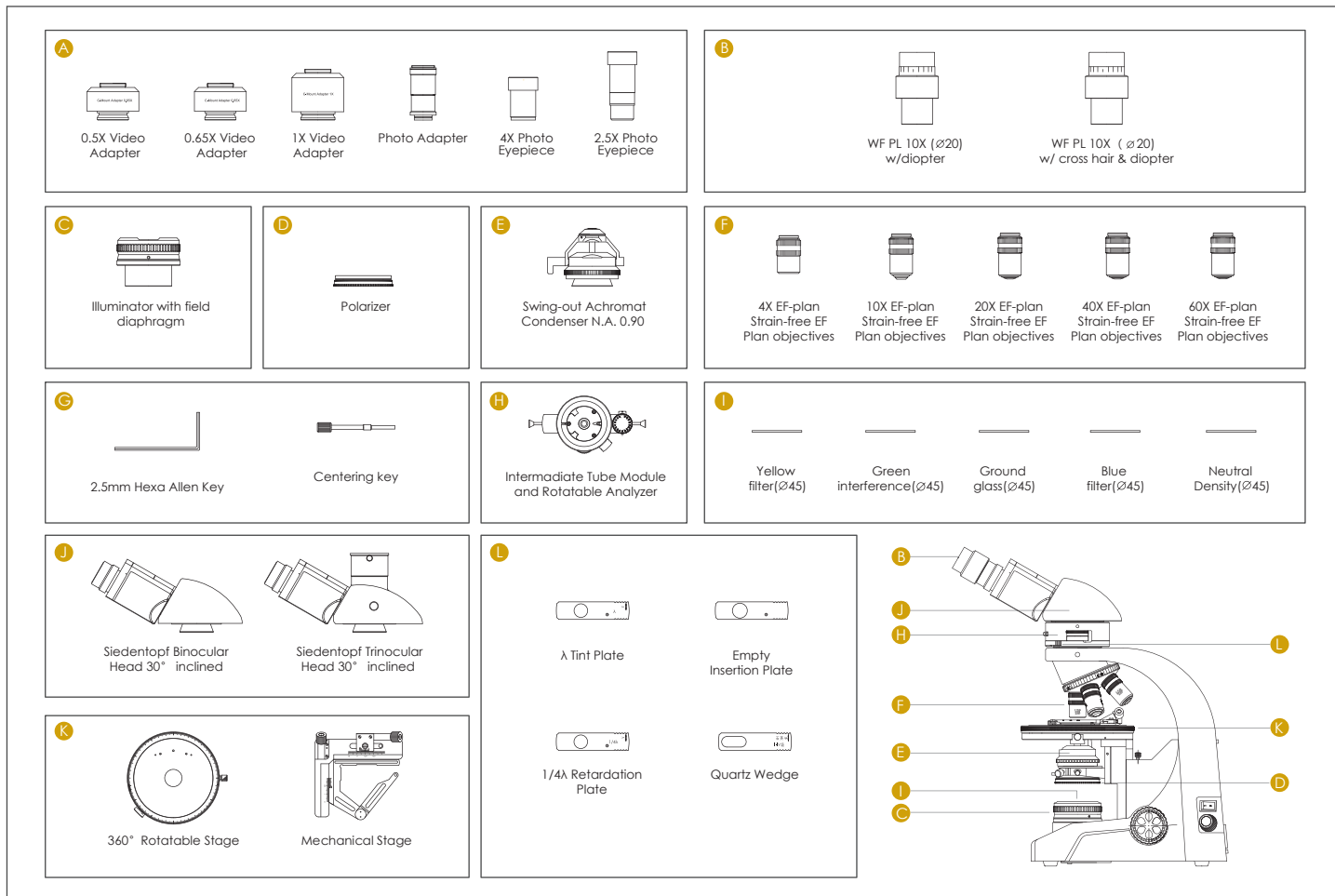


BA300Pol Standard & Optional Configuration

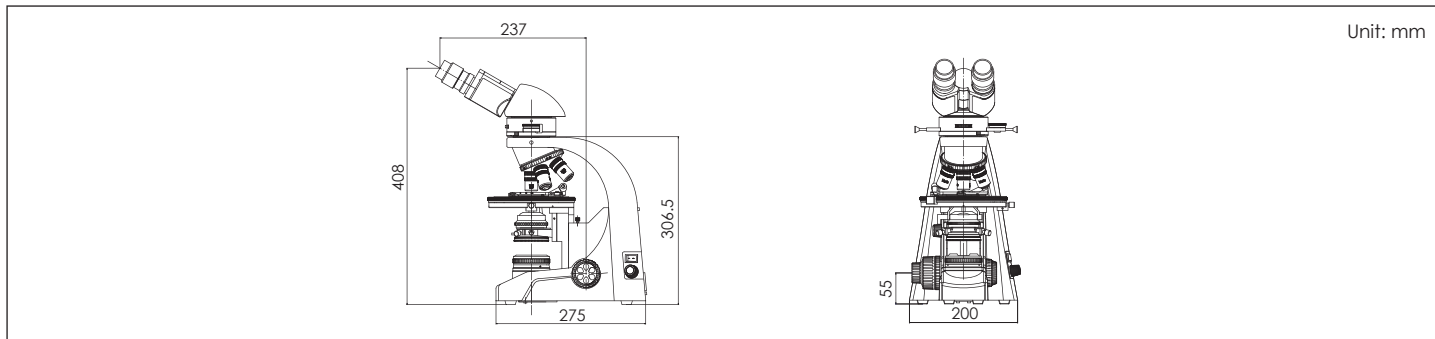
Component		Package	Qty
BA300POL Main Body		●	1
Eyepiece	WF PL 10X (Ø20) w/ diopter	●	1
	WF PL 10X (Ø20) w/ cross hair & diopter	●	1
Siedentopf Binocular Head 30° inclined		●	1
Siedentopf Trinocular Head 30° inclined (20:80)		○	1
Siedentopf Trinocular Head 30° inclined (0:100)		○	1
Intermediate Tube	360° Rotatable Analyzer	●	1
	Focusable Bertrand Lens		
Quadruple Nosepiece		●	1
Objectives "Strain-freeEF Plan objectives"	4X	●	1
	10X	●	1
	20X	○	1
	40X (S)	●	1
	60X (S)	●	1
360° Rotatable Stage		●	1
Swing-out Achromat Condenser N.A. 0.90		●	1
Polarizer		●	1
λ Tint Plate		○	1
$1/4\lambda$ Retardation Plate		○	1
Quartz Wedge		○	1
Empty Insertion Plate		●	1
Mechanical Stage		○	1
1X Video Adapter		○	1
0.65X Video Adapter		○	1
0.5X Video Adapter (c-mount)		○	1
Photo Adapter		○	1
Photo Eyepiece	2.5X	○	1
	4X	○	1
6V/30W Halogen Light (adjustable intensity)		●	1
Filters	Yellow filter	○	1
	Green interference	○	1
	Ground glass	○	1
	Blue filter	●	1
	Neutral Density	○	1
2.5mm Hexa Allen Key		●	1

● Standard Item, ○ Optional Item

System Diagram



BA300Pol Dimensions



URL: <http://www.motic.com>

Motic Incorporation Ltd. (HONG KONG)

Rm. 2907-8, Windsor House, 311 Gloucester Road, Causeway Bay, Hong Kong
Tel: 852-2837 0888

Motic Instruments Inc. (CANADA)

180-4320 Viking Way Richmond, B.C. V6V 2L4 Canada
Tel: (604) 303-9033 Fax: (604) 303-9043 Toll Free: 1-877-977-4717
Technical Support: 1-877-901-4141 Email: info@motic-america.com

For inquiries in UK (UK)

Saracens House, 25 St. Margarets Green, Ipswich, IP4 2BN, Suffolk, UK
Tel: 44-(0)-14732 81909

Motic Deutschland GmbH (GERMANY)

Gewerbepark Spilburg, Gebäude A42 Spilburgstrasse 1 D-35578 Wetzlar Germany
Tel: 49-6441-210 010

Motic Spain, S.L. (SPAIN)

Polígono Industrial Les Corts, Camí del Mig, 112 08349 Cabrera de Mar, Barcelona Spain
Tel: 34-93-756 6286 Fax 34-93-756 6287

Motic Incorporation Ltd. Copyright © 2002-2003, 2007. All Rights Reserved

Design Change: The manufacturer reserves the right to make changes in instrument design in accordance with scientific and mechanical progress, without notice and without obligation.

Motic Certified ISO 9001
Certified ISO 14001

Code: 1300901300672