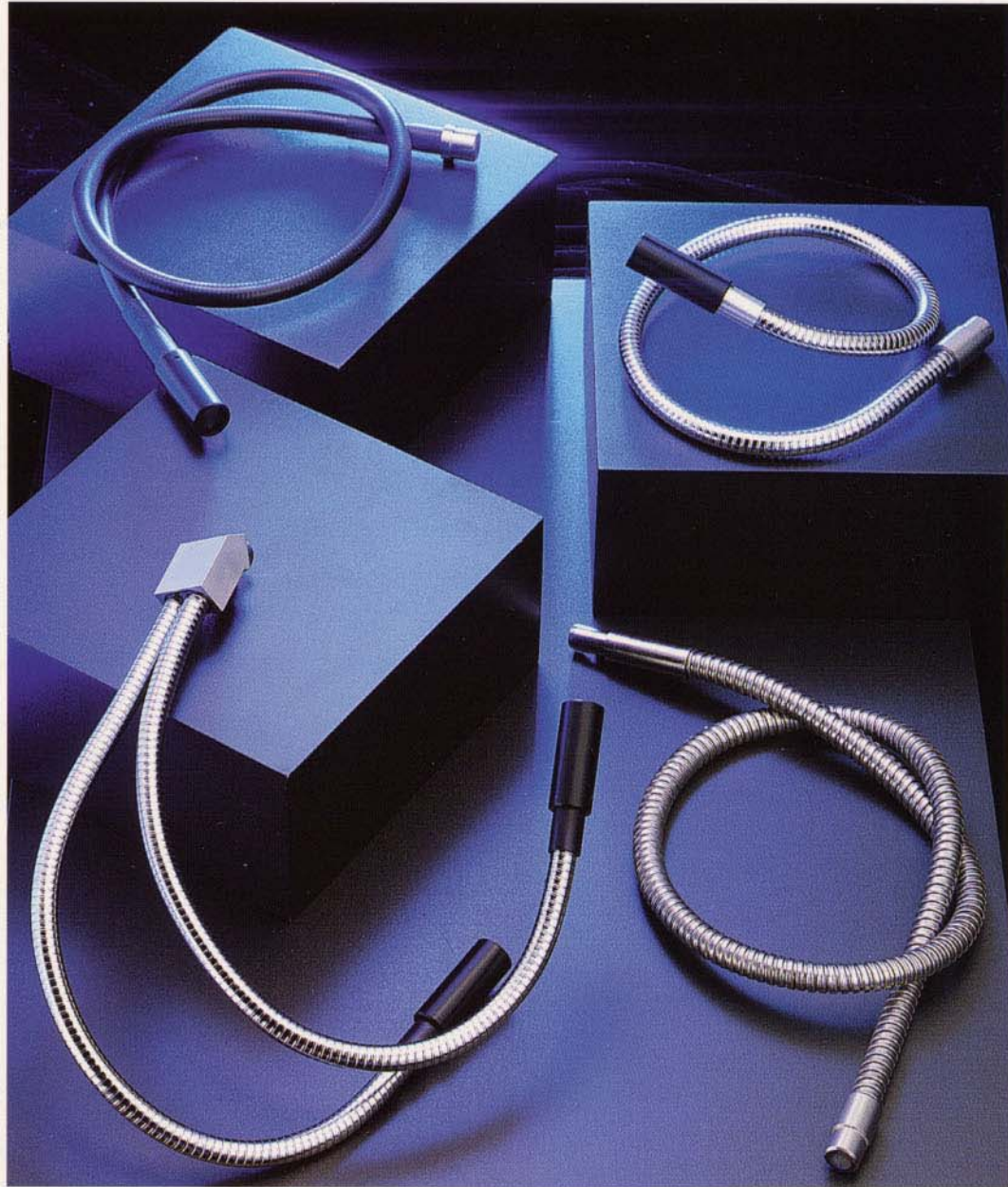


# TECHNIQUIP



## *Fiber Optic Light Guides*

### *Highlights:*

- *Highly adjustable "stay put" light source.*
- *Excellent cold light source.*
- *No additional charge for focusing lenses.*
- *Quick turn-around on specials.*

TechniQuip light guides, constructed with high quality glass fiber optics, provide the highest degree of adjustable and interference free uniform illumination of focused white light for a wide variety of applications.

These versatile light guides are available in single or double-pipe configurations in various lengths. Focusable lenses allow for variable spot light adjustments, making these

ideal for situations where intense illumination is required. Our light guides are offered in a standard stainless steel obedient sheathing which offers "stay-put" positioning, providing light exactly where you need it. The light guides can be manufactured to specific lengths. PVC sheathing is available. The light guides also feature precision metal fittings at each end.

*High performance light where you need it.*

Special and OEM

configurations

readily available.



**FEATURES:**

1. Ideal illumination for close inspection.
2. Focusable lens allows for variable spot adjustment.
3. Large fiber bundle assures maximum transmission of intense white light.
4. Highest quality glass fiber optics.
5. Precision metal fittings at each end of the light guide.
6. Standard obedient sheathing offers "stay-put" positioning.
7. Choice of sheathing-type, interlocking stainless steel or PVC monocoil. (Flexible)
8. Light guides can be manufactured to specific customer length requirements.
9. Light guides have standard sized end tip for compatibility.

**SPECIFICATIONS**

Model Number	Sheathing Type	Pipe Length	Bundle Size
SPL	Obedient SS	18"	.23"
SPL-24	Obedient SS	24"	.23"
DPL	Obedient SS	18"	.30"
DPL-24	Obedient SS	24"	.30"
SGL	PVC Monocoil (Flexible)	36"	.23"
VILG-36*	Stainless Steel Interlock (Flexible)	36"	.40"
VILG-48*	Stainless Steel Interlock (Flexible)	48"	.40"

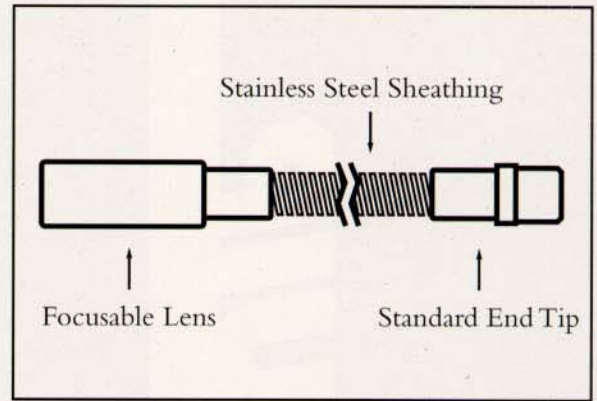
All light guides can be manufactured to customer specifications.

\* No focus lens provided with the VILG.

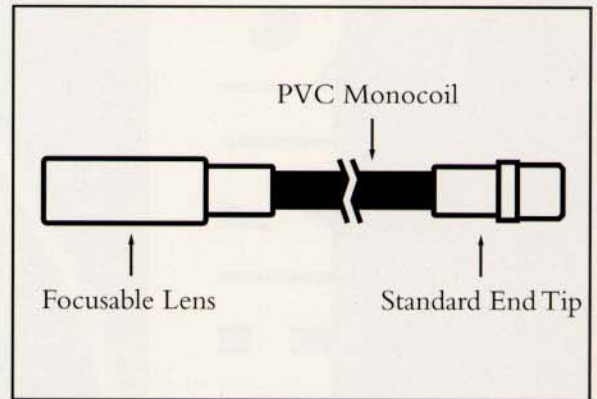
Working Distance	Max. Spot Size	Min. Spot Size
3"	3"	1.00"
6"	5"	1.87"
9"	7"	2.50"

Spot size specifications apply to our standard lens.

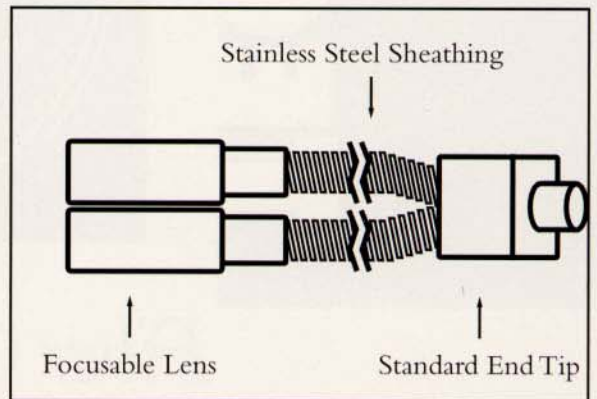
**SPL**



**SGL**



**DPL**



**VILG**

