



PROGRES GRYPHAX[®] NAOS



Technical data

Explore your micro universe with
PROGrammable RESolutions 20 & 5 MPix.

KEY FACTS

- 20 MPix microscope camera
- 30 fps at 5 MPix
- Dynamic range 71.8 dB
- USB 3.0 interface
- 1" sensor
- 12 bit
- Software included

SYSTEM REQUIREMENTS

Personal computer	Intel i7 (Quad-Core) processor or comparable / 8 GB RAM
Operating system	WIN 7 / 8 / 10 MAC El Capitan LINUX Ubuntu 14.04 LTS
Data interface	USB 3.0 integrated, no extra power supply needed
Monitor resolution	3840 x 2160 or higher
Software (included in the package)	PROGRES GRYPHAX [®] (64 bit operating systems only)

IMAGE SENSOR

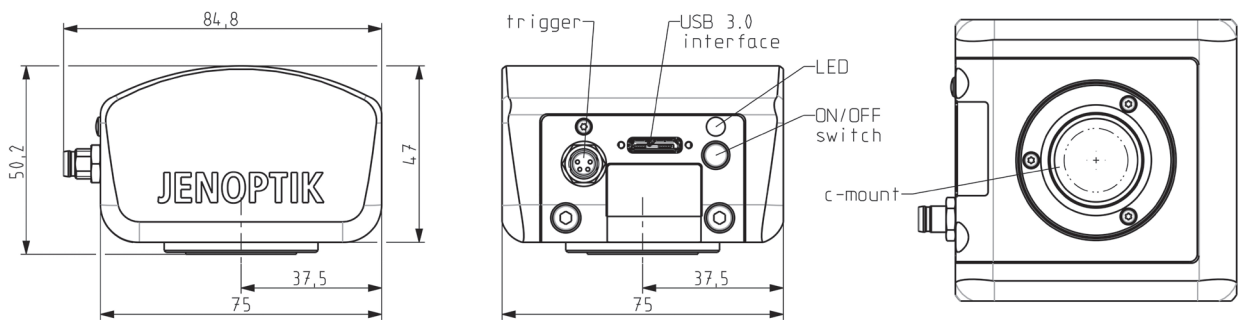
Type square utilised sensor diagonal	SONY back-illuminated CMOS 1" 15.58 mm
Pixel dimensions	2.4 x 2.4 μ m
Color or monochrome	Color
Transfer method shutter mode	All pixel scan Rolling shutter
Full sensor resolution	5400 x 3600 pixel

CAMERA

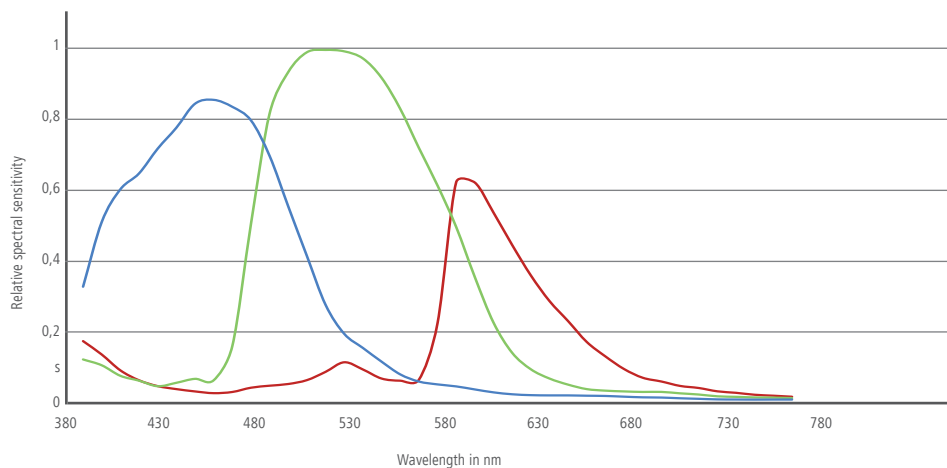
Camera resolution in LIVE mode	1800 x 1200 pixel (50 fps) 2700 x 1800 pixel (30 fps)
Camera resolution in RECORD mode	1800 x 1200 pixel 2700 x 1800 pixel 5400 x 3600 pixel
Camera resolution in VIDEO mode	1800 x 1200 pixel (30 fps)
Camera resolution in PANORAMA / Z-STACKING mode	1800 x 1200 pixel up to 2700 x 1800 pixel
Exposure time min. - max.	10 μ s - 10 s
Gain	Max. 10
A/D conversion	12 bit (4096 grey values)
Absolute sensitivity threshold*	3.8 e-
Saturation capacity*	15.000 e-
Dynamic range*	71.8 dB

*based on EMVA 1288 standard compliance guidelines

Filter	IR cut I optional clear-glass
Hardware trigger	OUT
Power switch	Yes
Optical interface	C-mount
Power consumption	Appr. 3 W
Dimensions	85 mm x 75 mm x 50 mm
Weight	Appr. 400 g
Storage options	-20°C up to +70°C
Operating temperature	+10°C up to +35°C non condensing
Warranty	24 months
CE conformity / RoHS conformity	Yes



MEASURED RELATIVE SPECTRAL SENSITIVITY*:



PROGRES GRYPHAX® NAOS IS AN **ADVANCED** SOLUTION FOR:

- Life science
- Quality control
- Material science
- Forensics

*based on EMVA 1288 standard compliance guidelines / effective spectral sensitivity on request

Authorized Dealer:

Meyer Instruments, Inc.

1304 Langham Creek Drive, Suite 235

Houston, TX 77084

281-579-0342

www.meyerinst.com