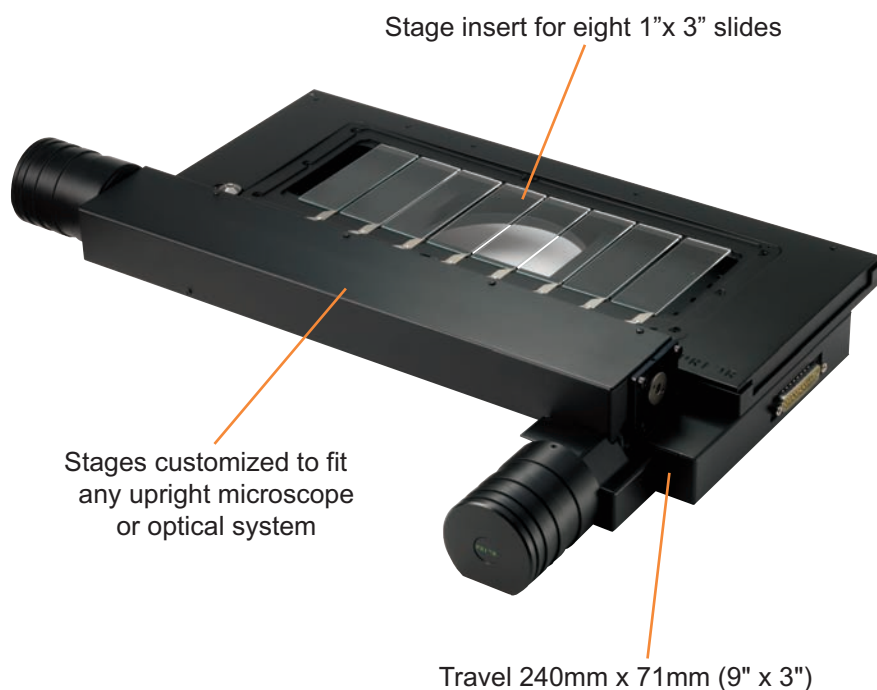


H138A Stage

High Precision Motorized Stage for Upright Microscopes



Increase your specimen handling and speed efficiency with the H138A motorized stage from Prior Scientific. The H138A stage allows you to work more productively by having the capability to load up to eight 1"x3" specimen slides onto one stage and processing them together. Sample holders can be released quickly and easily interchanged to increase processing speed. The stage also allows you to also scan specimens that won't fit on standard sized stages. The H138A ProScan stage also incorporates the patented - Intelligent Scanning Technology (IST)[®]. In conjunction with extensive testing, IST allows each stage to be pre-programmed with a unique set of operating characteristics particular to that stage to ensure optimum performance. IST allows the ProScan controller to make any required adjustments to maintain superior orthogonally and metric accuracy.

The H138A features:

- Travel of 240mm x 71mm (9" x 3")
- Repeatability of ± 0.7 micron
- Step size (resolution) of the stage is from 0.02 microns, depending on the controller configuration
- Optional 100nm linear scales provide the highest precision available.
- Stages customized to any microscope or mount
- Stage insert for eight slides

(U.S. Patent 7,330,307)

General Specifications

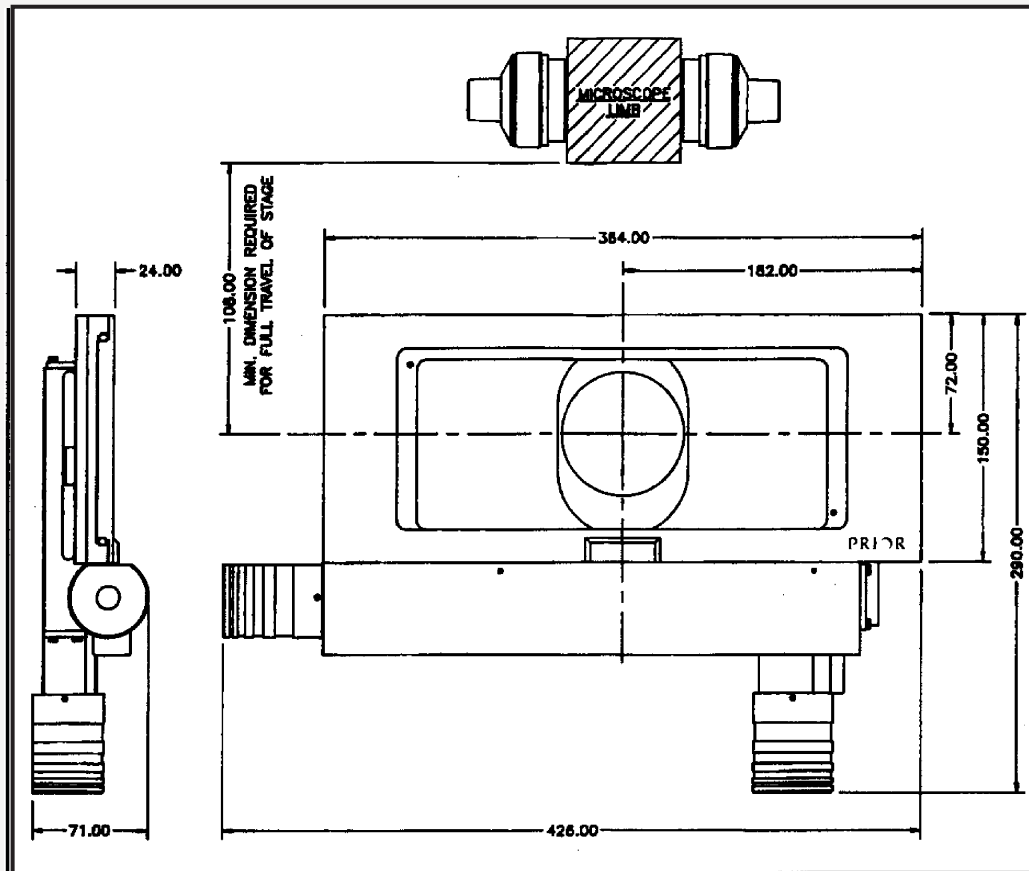
- Travel Range: 240mm x 71mm (9" x 3")
- XY Repeatability*: $\pm 0.7\mu\text{m}$ (micrometer)
- Minimum Step Size (Resolution): 0.02 μm
- Load Capacity: 10kg (22 lbs)
- Stepper motor: 4 phase, 1 amp per phase, micro stepping
- Linear Slides: Precision 3mm bearings

- Drive Screws: Zero backlash, recirculating ball screws; 2mm pitch standard
- Limit Switches: X and Y standard
- Stage Profile: Approximately 25mm (1.0") with glass plate installed
- Weight: 5.0kg
- Finish: Electro-phoretic black plate

* Specifications valid only if used with Prior controller.

H138A Stage

High Precision Motorized Stage for Upright Microscopes



Dimensions in millimeters.

H138A Specifications

Specification	Details
Maximum Travel Range	240mm x 71mm
Minimum Step Size	0.02µm
XY Repeatability*	+/-1.0µm
Load Capacity	10kg
Stepper Motor	4 phase, 1 amp per phase, micro stepping
Linear Slides	3mm precision bearings
Drive Screws	Zero backlash, recirculating ball screws; 2mm pitch

*Specifications valid only if used with Prior Controller.



Ordering Information

Part Number	Description
H138ANNN	9"x3" travel stage
H138ANNI	9"x3" travel stage with 0.1µm linear scales
H138ANLN	9"x3" travel stage (400 step motor)
H138ANL1	9"x3" travel stage with 0.1µm linear scales (400 step motor)