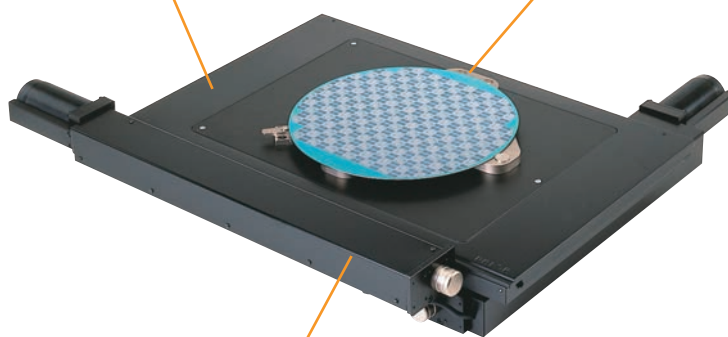


## H116 Stage

### High Precision Motorized Stage for Upright Microscopes

H116 is available with a 2mm or 5mm pitch ball screw

Travel 255mm x 215mm (10" x 8.5")



Stages customized to fit virtually any upright microscope or optical system

Now add the highest quality, precision motorized stepper stage to your semiconductor inspection microscope: the Prior H116. The H116 is one of a full range of motorized stepper stages from Prior Scientific, adaptable to virtually any microscope or optical system. The H116 is especially well-suited for applications that typically involve large specimens. For example, the H116 is perfect for performing scanning of a wide range of semiconductor wafers, photo masks, flat panel displays, and printed circuit boards. The H116 can easily accommodate 8" (200mm) wafers. A variety of sample holders are available and stage inserts can be customized for any application.

The H116 features:

- Travel 255mm x 215mm (10" x 8.5")
- Optional 100nm linear scales provide the highest precision available
- Minimum step size (resolution) of the stage is 0.02 microns
- H116 is available with a 2mm or 5mm pitch ball screw
- Stages customized to fit virtually any upright microscope or optical system

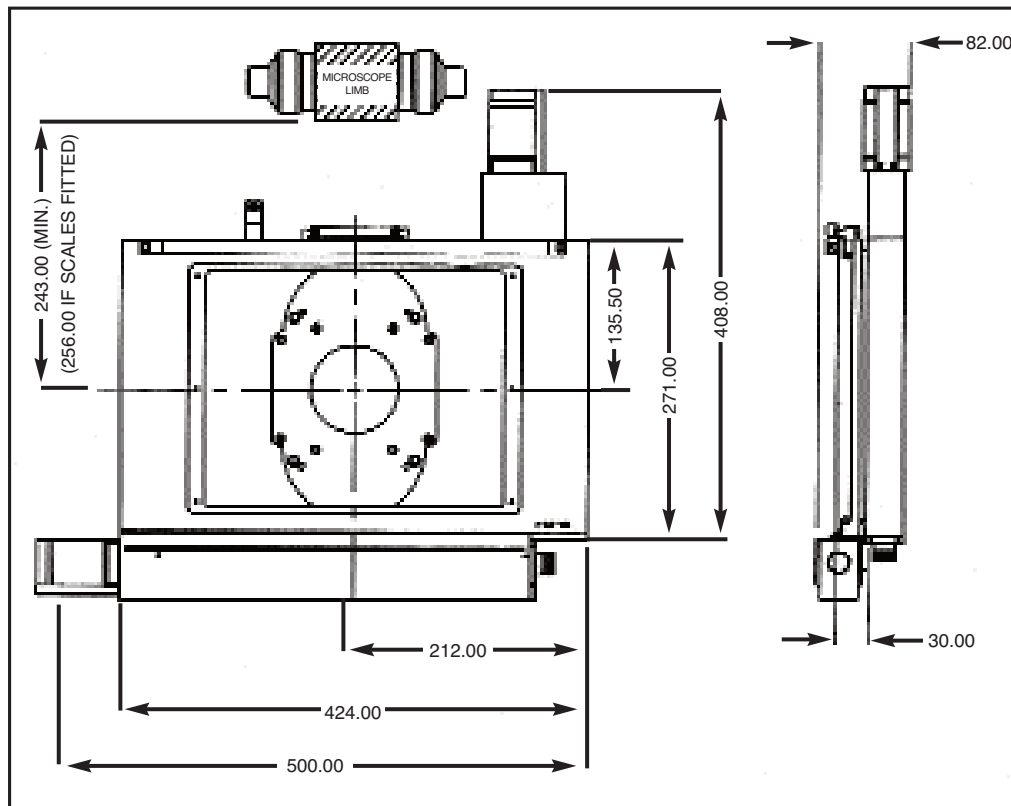
#### General Specifications

- Travel Range: 255mm x 215mm (10" x 8.5")
- XY Repeatability\*:  $\pm 0.7\mu\text{m}$  (micrometer)
- Minimum Step Size (Resolution):  $0.04\mu\text{m}$
- Load Capacity: 25 kg
- Stepper motor: High precision stepper
- Drive Screws: Zero backlash, recirculating ball screws; 2mm or 5mm pitch
- Limit Switches: X and Y standard
- Stage Profile: Approximately 50mm with glass plate installed
- Weight: 7.7kg
- Finish: Electro-phoretic black plate

## H116 Stage

High Precision Motorized Stage for Upright Microscopes

### Drawing



Dimensions in millimeters. Drawings shown with optional linear scale.



### H116 Specifications

Specification	Details
Maximum Travel Range	256mm x 215mm
Minimum Step Size	0.1µm
XY Repeatability*	+/-2.0µm
Load Capacity	25kg
Stepper Motor	4 phase, 1 amp per phase, micro stepping
Drive Screws	Zero backlash, recirculating ball screws; 2mm or 5mm pitch

\*Specifications valid only if used with Prior Controller.

### Ordering Information

Part Number	Description
H116ARNN	Stage with 2mm pitch screws
H116ARN1	Stage with 2mm pitch screws with scales
H116BRNN	Stage with 5mm pitch screws
H116BRN2	Stage with 5mm pitch screws with scales