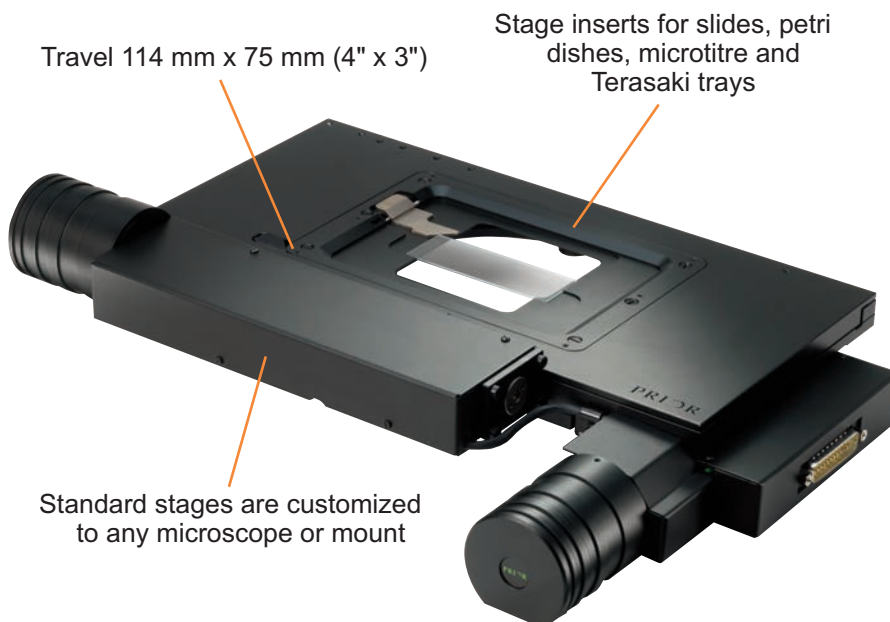


## H101A ProScan™ Stage

### Motorized Stepper Stage for Upright Microscopes



The H101A ProScan stage from Prior Scientific is adaptable to virtually any microscope or optical system. The H101A stage enables the user to increase labor efficiency by automatically scanning your specimens and storing points for later recollection and inspection with unmatched repeatability. The H101A is ideal for scanning or inspection of slides, microtitre trays, semiconductor wafers, or metallurgical specimens in any sort of pattern, including raster, snake and random patterns. The H101A ProScan stage also incorporates the patented - Intelligent Scanning Technology (IST). In conjunction with extensive testing, IST allows each stage to be pre-programmed with a unique set of operating characteristics particular to that stage to ensure optimum performance. IST allows the ProScan controller to make any required adjustments to maintain superior orthogonally and metric accuracy.

The H101A stage features:

- Travel 114 mm x 75 mm (4" x 3")
- Optional 50nm linear scales provide the highest precision available
- Minimum step size (resolution) of the stage is 0.01 microns
- Standard stages are customized to any microscope or mount
- Stage inserts for slides, petri dishes, microtitre and Terasaki trays

(U.S. Patent 7,330,307)

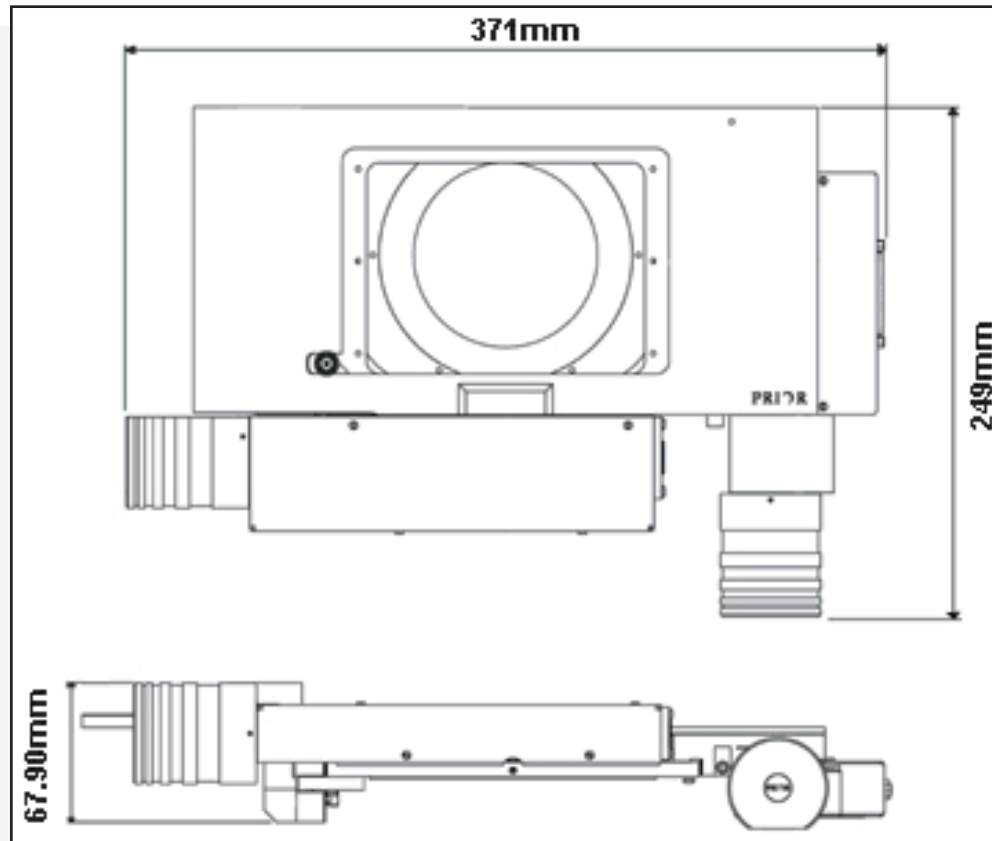
#### Features:

- Travel range of 114mm x 75mm
- Intelligent Scanning Technology (IST) provides highest precision available
- Optional 50nm linear scales provide highest precision available
- Minimum step size (resolution) of the stage is 0.01 microns
- Standard stages are customized to any microscope or mount
- Stage inserts for slides, petri dishes, microtitre and Terasaki trays

## H101A ProScan™ Stage

Motorized Stepper Stage for Upright Microscopes

### Drawing



### H101A Specifications

Specification	Details
Maximum Travel Range	114mmx75mm
Minimum Step Size	0.01µm
XY Repeatability	0.7µm
Load Capacity	10kg
Stepper Motor	4 phase, 1amp per phase micro stepping
Linear Slides	3mm precision bearings
Drive Screws	Zero backlash, recirculating ball screws; 2 mm pitch

\*Specifications valid only if used with Prior Controller.



### Ordering Information

Part Number	Description
H101ANNN	H101 Stage with 2mm screw pitch
H101ANNI	H101 Stage with 2mm screw pitch and 0.1 um linear scales
H101CNLN	H101 Stage with 1mm screw pitch
H101CNLI	H101 Stage with 1mm screw pitch and 0.1 um linear scales