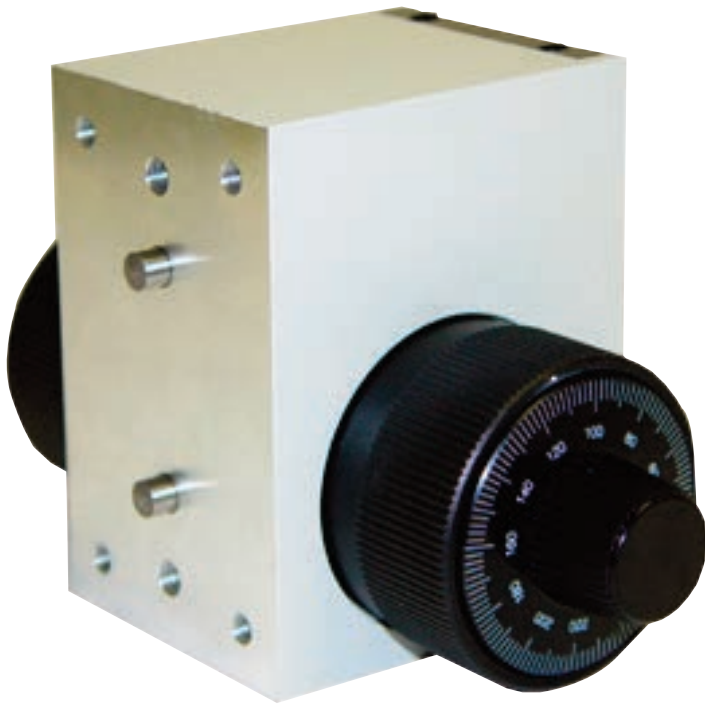


FB201 Focus Block



Prior Scientific's FB201 is co-axial coarse and fine focusing block, designed for OEM applications where precise fine focus adjustment is required. Rack and pinion mount allows smooth, precise focusing over 29 mm of travel. A Large coarse focus mechanism incorporates a slip clutch and tension adjustment. Fine focus adjustment control is graduated in two micron divisions throughout the coarse focus range. Motorized control is also available and is easily interfaced with Prior's standard line of focus controllers. The focus block can be easily adapted to various mounting configurations.

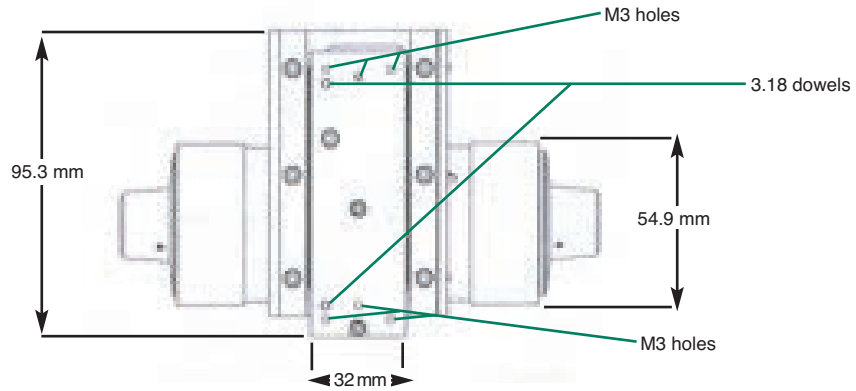
General Specifications

- Travel Range: 29 mm
- Load Capacity: 10 pounds
- Resolution: 240 microns/rev of fine focus knob
- Rack and pinion mount
- Easily adapted to various mounting configurations

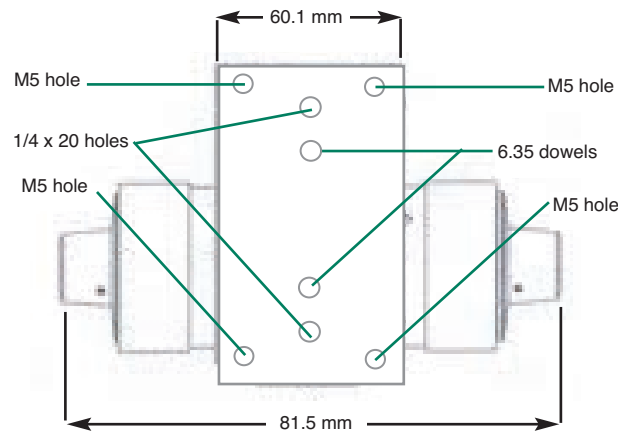
FB201 Focus Block

FB201 Focus Block Dimensions

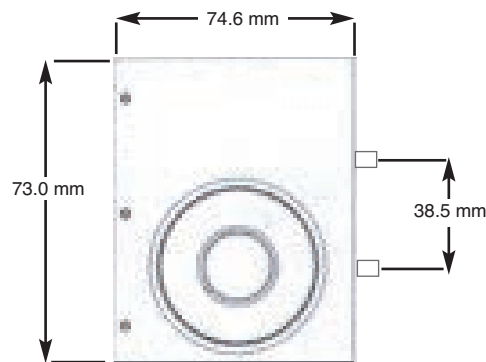
Front View



Rear View



Side View



Worldwide distribution

Prior Scientific Ltd
Cambridge, UK

T. +44 (0) 1223 881711
E. uksales@prior.com

Prior Scientific Inc
Rockland, MA, USA

T. +1 781-878-8442
E. info@prior.com

Prior Scientific GmbH
Jena, Germany

T. +49 (0) 3641 675 650
E. jena@prior.com

Prior Scientific KK
Tokyo, Japan

T. +81-3-5652-8831
E. info-japan@prior.com