



# PROGRES GRYPHAX<sup>®</sup> SUBRA



## Technical data

### KEY FACTS

- Full HD record at video speed
- USB 3.0 interface
- 5.5 x 5.5  $\mu\text{m}$  pixel size
- 2/3" sensor
- 12 bit

### SYSTEM REQUIREMENTS

Operating system	WIN (min. 7)   MAC (min. 10.8)   LINUX Ubuntu (min. 14.04 LTS)
Data interface	USB 3.0, no extra power supply needed
Software (included in the package)	PROGRES GRYPHAX <sup>®</sup>

### IMAGE SENSOR

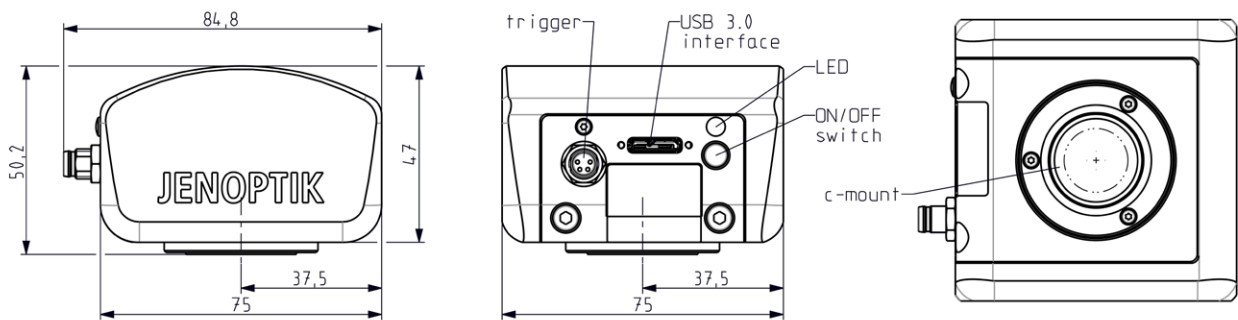
Sensor type   sensor square   diagonal	CMOS   2/3"   12.75 mm
Pixel dimensions	5.5 x 5.5 $\mu\text{m}$
Color or monochrome	Color
Transfer method   shutter mode	Progressive scan   Global shutter
Full sensor resolution	2048 x 1084 pixel

### CAMERA

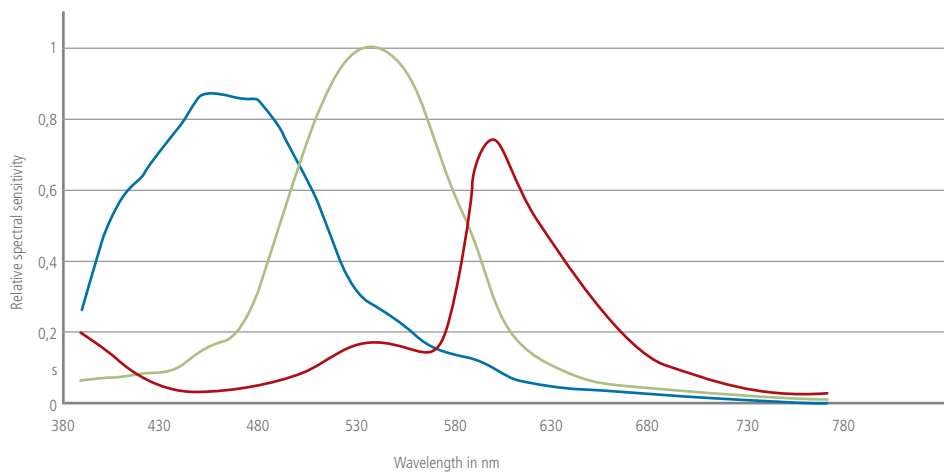
Camera resolution in LIVE mode	Full HD 1920 x 1080 pixel up to 2048 x 1084 pixel (30 fps)
Camera resolution in RECORD mode	Full HD 1920 x 1080 pixel up to 2048 x 1084 pixel (30 fps)
Exposure time min. - max.	52 $\mu\text{s}$ - 2 sec.
Gain	Max. 8
A/D conversion	12 bit (4096 grey values)
Absolute sensitivity threshold*	13.5 e <sup>-</sup>
Saturation capacity*	8000 e <sup>-</sup>
Dynamic range*	56 dB

\*based on EMVA 1288 standard compliance guidelines

Filter	IR cut I optional clear-glass
Hardware trigger	OUT
Power switch	Yes
Optical interface	C-mount
Power consumption	Appr. 3 W
Dimensions	85 mm x 75 mm x 50 mm
Weight	Appr. 400 g
Storage options	-20°C up to +70°C
Operating temperature	+10°C up to +35°C non condensing
Warranty	24 months
CE conformity / RoHS conformity	Yes



**MEASURED RELATIVE SPECTRAL SENSITIVITY\*:**



**PROGRES GRYPHAX SUBRA IS AN ESSENTIAL SOLUTION FOR:**

- Cytology
- Hematology
- Quality Control
- Biology
- Geology
- Metallography
- Mineralogy

\*based on EMVA 1288 standard compliance guidelines